

# Centrifuge Tubes



15 mL Centrifuge Tube with CentriStar Cap

## 15 mL Centrifuge Tubes

- ▶ Corning® 15 mL centrifuge tubes feature black printed graduations and a large white marking spot
- ▶ Available with your choice of cap styles; the advanced CentriStar™ cap or the original plug seal cap
- ▶ Available in racks or bulk packed in ziplock, resealable sleeves
- ▶ Sterile, certified nonpyrogenic, and RNase-/DNase-free
- ▶ 95 k PA (14 psi) pressure tested – plug seal cap only
- ▶ Foam racks also available separately

## 15 mL Centrifuge Tubes Ordering Information

Cat. No.	Material	Cap Style	Max. RCF	Qty/Pk	Qty/Cs
430053	PET	Plug Seal Cap	3,600	25/sleeve	500
430055	PET	Plug Seal Cap	3,600	50/Rack	500
430052	PP	Plug Seal Cap	12,000	50/Rack	500
430766	PP	Plug Seal Cap	12,000	25/Sleeve	500
430790	PP	CentriStar Cap	12,000	50/Rack	500
430791	PP	CentriStar Cap	12,000	25/Sleeve	500
431470	PP	No cap (tube only)	12,000	25/Sleeve	500
431471	PP	CentriStar Cap only (no tube)	12,000	100/Sleeve	500
431355	Foam Centrifuge Tube Rack, 15 mL		–	–	20

PP = Polypropylene, PET = Polyethylene Terephthalate, RCF = Relative Centrifugal Force (x g).

## 50 mL Centrifuge Tubes

- ▶ Corning 50 mL centrifuge tubes feature black printed graduations and a large white marking spot
- ▶ Available with your choice of cap styles: the advanced CentriStar cap or the original plug seal cap
- ▶ Available in racks or bulk packed in ziplock, resealable sleeves
- ▶ Sterile, certified nonpyrogenic, and RNase-/DNase-free
- ▶ 95 k PA (14 psi) pressure tested
- ▶ Foam racks also available separately

## 50 mL Centrifuge Tubes Ordering Information

Cat. No.	Material	Cap Style	Max. RCF	Qty/Pk	Qty/Cs
430290	PP	Plug Seal Cap	15,500	25/Rack	500
430291	PP	Plug Seal Cap	15,500	25/Sleeve	500
430304	PET	Plug Seal Cap	3,600	25/Rack	500
430828	PP	CentriStar Cap	15,500	25/Rack	500
431472	PP	No cap (tube only)	15,500	25/Sleeve	500
431473	PP	CentriStar Cap only (no tube)	15,500	100/Sleeve	500
430829	PP	CentriStar Cap	15,500	25/Sleeve	500
4558	PP	CentriStar Cap	15,500	25/Universal Rack*	300
4365	Foam Centrifuge Tube Rack, 50 mL		–	–	20
4366	Universal Foam Centrifuge Tube Rack, 15 mL and 50 mL		–	–	20

PP = Polypropylene, PET = Polyethylene Terephthalate, RCF = Relative Centrifugal Force (x g).

\*Innovative universal rack can hold 50 mL and 15 mL tubes securely, allowing researchers to work with and store both size tubes in the same rack, saving bench and storage space.



50 mL Centrifuge Tube with CentriStar Cap



Bulk Pack – Ziplock Bag



Universal Rack



Foam Centrifuge Tube Racks



Self Standing 50 mL Centrifuge Tube with Flat Cap

### Self-Standing 50 mL Centrifuge Tubes

- ▶ Corning® 50 mL centrifuge tubes feature black printed graduations and a large white marking spot
- ▶ Available with your choice of flat or the original plug seal cap
- ▶ Tubes are bulk packed in ziplock, resealable sleeves
- ▶ 95 k PA (14 psi) pressure tested – plug seal cap only
- ▶ Sterile, certified nonpyrogenic, and RNase-/DNase-free

#### Self-Standing 50 mL Centrifuge Tubes Ordering Information

Cat. No.	Material	Cap Style	Max. RCF	Qty/Sleeve	Qty/Cs
430897	PP	Plug Seal Cap	3,000	25	500
430921	PP	CentriStar™ Cap	3,000	25	500

PP = Polypropylene, RCF = Relative Centrifugal Force (x g).

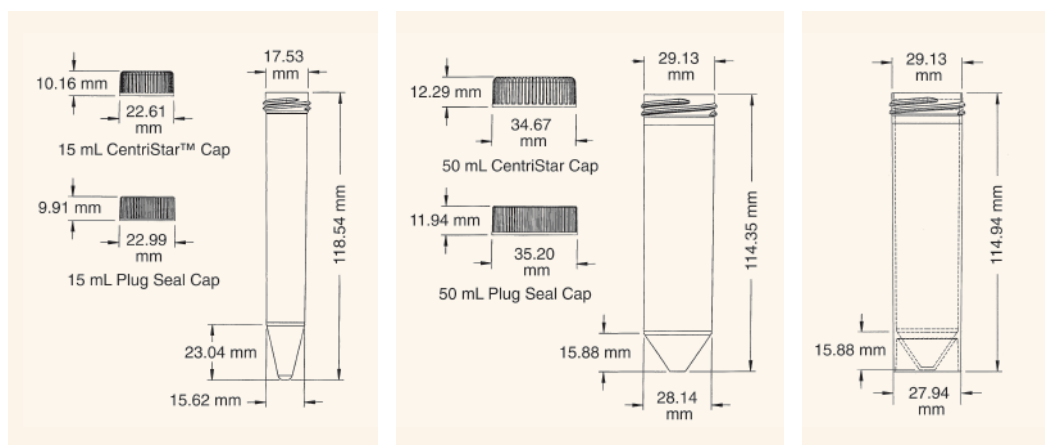
### CentriStar Cap

Corning 15 mL and 50 mL centrifuge tubes are now available with the advanced CentriStar cap. The CentriStar cap has an easy-on/easy-off flat top and offers advanced ergonomics with its wider knurls and roll-over edge design for easier gripping. This design includes a revolutionary plug feature that minimizes the risk of seepage when used under recommended conditions.



CentriStar Cap

#### Dimensions of Corning 15 mL and 50 mL Centrifuge Tube



### 250 mL and 500 mL Centrifuge Tubes and Support Cushions

- ▶ Corning 250 mL and 500 mL polypropylene tubes are ideal for applications requiring large-volume centrifugation
- ▶ Each case of tubes contains a rack to facilitate handling
- ▶ Support cushions must be used with this product unless the rotor has appropriately shaped V-bottom holders
- ▶ Tubes are sterile and certified nonpyrogenic



500 and 250 mL Centrifuge Tubes

#### 250 mL and 500 mL Centrifuge Tubes Ordering Information

Cat. No.	Description	Material	Cap Style	Max RCF	Qty/Pk	Qty/Cs
430776	250 mL Tube	PP	Plug	6000	6	102
430236	250 mL Support Cushion	PEI	n/a	n/a	n/a	6
431123	500 mL Tube	PP	Plug	6000	6	36
431124	500 mL Support Cushion	PEI	n/a	n/a	n/a	6

PP = Polypropylene, PEI = Polyetherimide, RCF = Relative Centrifugal Force (x g).